

# SLS AMG Dealer Ordering Guide



## **An important note about this Guide:**

The information presented in this guide is based on the most current information available and is intended to assist you when specifying your SLS AMG orders.

Due to the preliminary nature of this information, all pricing and option availability is subject to change. As new information and/or additional details are made available, they will be communicated to you and this Guide will be updated.

Due to variances among color monitors and printers the colors that appear on your screen and printouts may not be exact.

**PLEASE VISIT <http://www.mercedes-amg.com> for additional photos, specifications, technical details, videos and more....**

## Standard Equipment Highlights

### Performance

- Hand-Built 6.3L V-8 Engine
- 563 hp and 479 lb-ft of Torque
- 7-Speed AMG Dual Clutch Transaxle Transmission
- Rear Limited Slip Differential
- Compound Brake Rotors

### Safety/Security

- Rearview Camera
- Tele Aid
- Bi-Xenon Headlamps
- LED Daytime Running Lights

### Comfort/Convenience

- PARKTRONIC and KEYLESS-GO
- Auto-Dimming Side and Rearview Mirrors
- Power Folding Mirrors
- Headlamp Washing System
- Dual Zone Automatic Climate Control

### Technology

- COMAND APS with 6-Disc CD/DVD Changer
- 40GB Hard-Drive GPS Navigation
- Enhanced Voice Control System
- SIRIUS Satellite Radio and HD Radio
- iPod/MP3 Media Interface

## Exterior - Paint Selections

### Metallic



197 Obsidian Black



775 Iridium Silver



950 AMG Daytona Blue



434 AMG Le Mans Red

**N/C**

### Special



756 AMG Imola Grey



799 *designo* Diamond  
White

**\$1,500est**

### Matte Finish



044 *designo* Magno  
Alanite Grey



054 AMG Magno  
Monza Grey

**\$3,000est**

### ALU-BEAM



047 AMG ALUBEAM  
Silver  
"Liquid Metal"

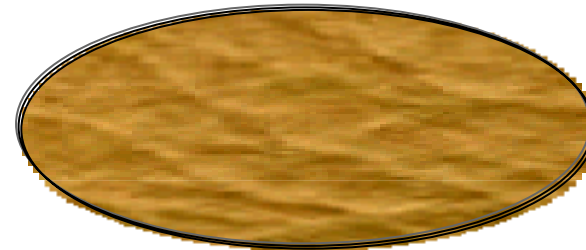
**\$10,000est**

## Interior – Leather & Color Selection

### Standard Choices *designo* Leather Exclusive



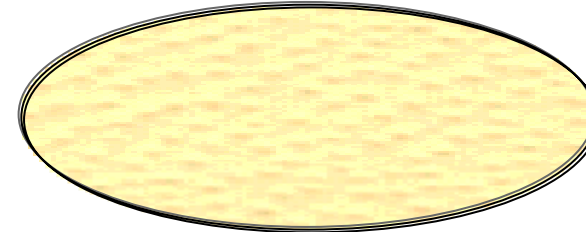
**501**  
**Black**



**505**  
**Sand**



**507**  
**Classic Red**



**515**  
**Porcelain**

Additional leather combinations/choice available in the *Special Options* section

## Interior Photos



**Shown with:**

**- 501 *designo* Black Leather**

**- H73 Carbon Fiber Trim**

## Interior Photos



**Shown with:**

**- 565 *designo* Porcelain Two-tone Leather**

**- H73 Carbon Fiber Trim**



**Shown with:**

- 515 *designo* Porcelain Leather
- H73 Carbon Fiber Interior



## Interior Photos

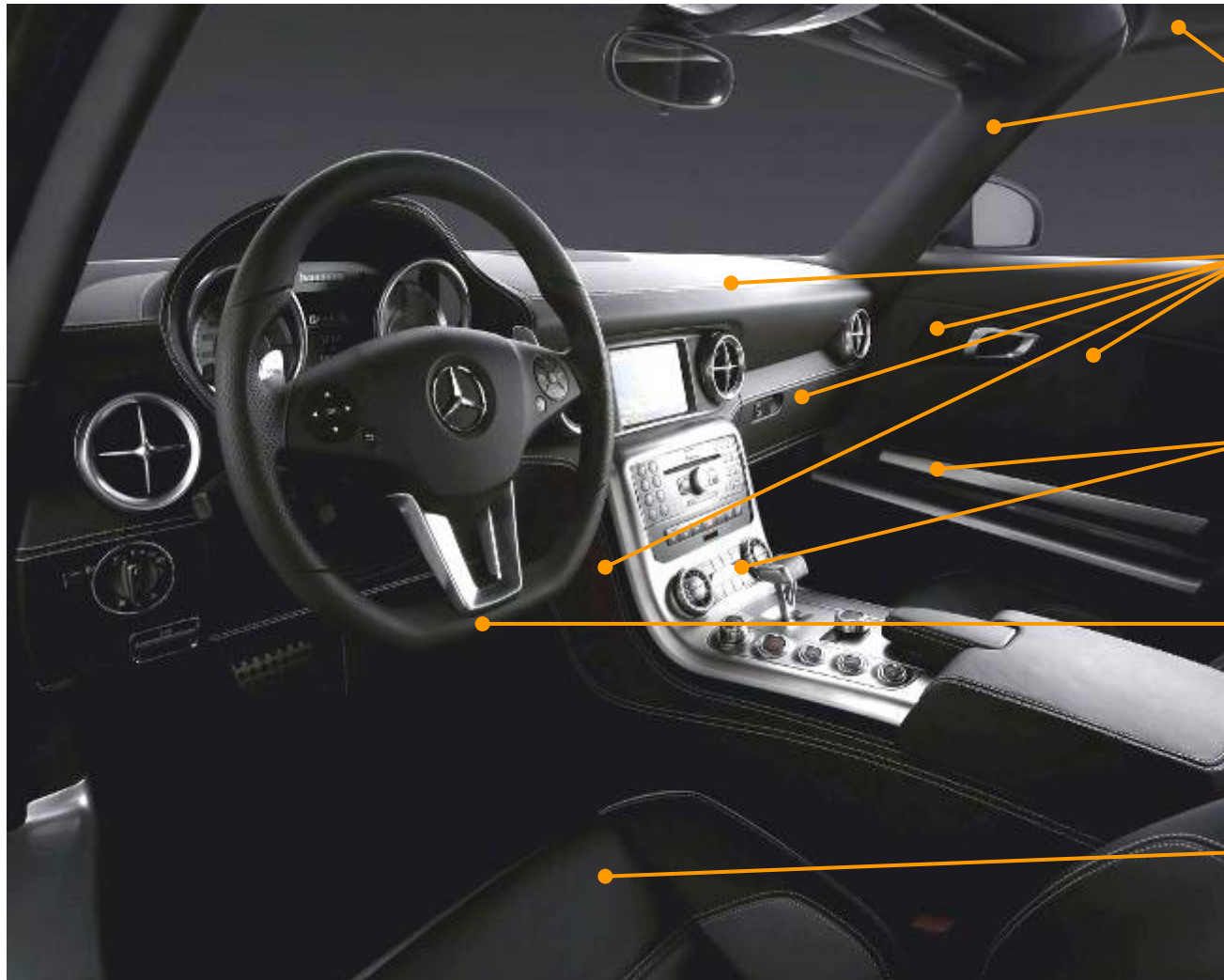


**Shown with:**

- 507 *designo* Classic Red Leather
- H73 Carbon Fiber Trim



## Interior – Materials Overview



Headliner, A & B pillars, sun visor, rear shelf, window framework on door  
**Standard: Alcantara**

Dash board, glove box, door panel, center console & side covers  
**Standard: *designo* leather**

Center console & door trim  
**Standard: Aluminum**  
Optional: Carbon Fiber

AMG Performance Steering Wheel  
**Standard: Nappa leather black**  
Optional: Alcantara side grips

**Seats**  
**Standard: *designo* leather**  
Optional:  
Two-tone *designo* leather  
Natural woven *designo* leather


# Interior – Color Layout



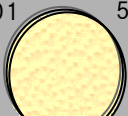
- UPPER Dashboard
- Door panel cap
- Headliner & window frame trim


**Black (for ALL vehicles)**

- LOWER Dashboard
- Door panel and armrest
- Center console & side paneling
- Seats








501      507      204

515      505

**Dependent on COLOR chosen**

**Carpet**

**With 204 ONLY - Light Brown**

**ALL OTHER COLORS - Black**

# Interior – Color Layout Example



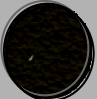
- LOWER Dashboard
- Door panel and armrest
- Center console & side paneling
- Seats



507

507 Classic Red Shown

- UPPER Dashboard
- Door panel cap
- Headliner & window frame trim



Black (for ALL vehicles)



## Interior - Trim Selections

- Center Console trim
- Door trim pieces (one strip on each door)



**Standard**  
H70 Aluminum



**Optional - \$4,500est**  
H73 Carbon Fiber

## Exterior – Wheel Selections

All wheels choices offer the same dimensions – 19” x 9.5” Front , 20” x 11.0” Rear

### Code 764



#### Standard

#### AMG Twin 5-Spoke Wheel

Front: 19 x 9.5 265/35 R19  
Rear: 20 x 11.0 295/30 R20

### Code 765



#### Optional – N/C

#### AMG 7-Spoke Wheel

Front: 19 x 9.5 265/35 R19  
Rear: 20 x 11.0 295/30 R20

### Code 766



#### Optional - \$2,400est

#### AMG 10-Spoke FORGED Wheel

Front: 19 x 9.5 265/35 R19  
Rear: 20 x 11.0 295/30 R20

---

## *Special Options*

The following options and features are offered to allow further customization of the SLS AMG. They are highly desirable yet highly specialized items to best cater to individual customer desires.

Selecting any of these options will not incur an additional ‘Special Order’ charge.



*designo* Leather Exclusive Two-Tone Seats (No-charge option)



555 Sand/Black



557 Classic Red/Black



565 Porcelain/Black



Shown in 565 Porcelain/Black  
Two-Tone

NOTE: When selecting two-tone seats, the other interior elements are colored in the same way as when selecting a single-tone seat (as described on the *'Interior - Color Layout'* slide).

## Code 204 - *designo* Light Brown Natural Woven Leather

*designo* Natural Leather crafted into a woven texture on the seat back and base creates a classic appearance



Woven Natural Leather  
Exclusive to Light Brown color (204)



Detail of Woven Leather

**Optional - \$1,000<sup>est</sup>**

Edition 2.0

## Interior Photos



**Shown with:**

- 204 *designo* Natural Light Brown Woven Leather
- H70 Aluminum Trim

# Seats – Color Selection Summary

## Standard Options

- 501 Black
- 505 Sand
- 507 Classic Red
- 515 Porcelain

## Special Options

- 557 Classic Red/Black
- 555 Sand/Black
- 565 Porcelain/Black
- 204 Light Brown



# Seats – Color Selection Summary



## Standard Options

- 501 Black
- 505 Sand
- 507 Classic Red
- 515 Porcelain

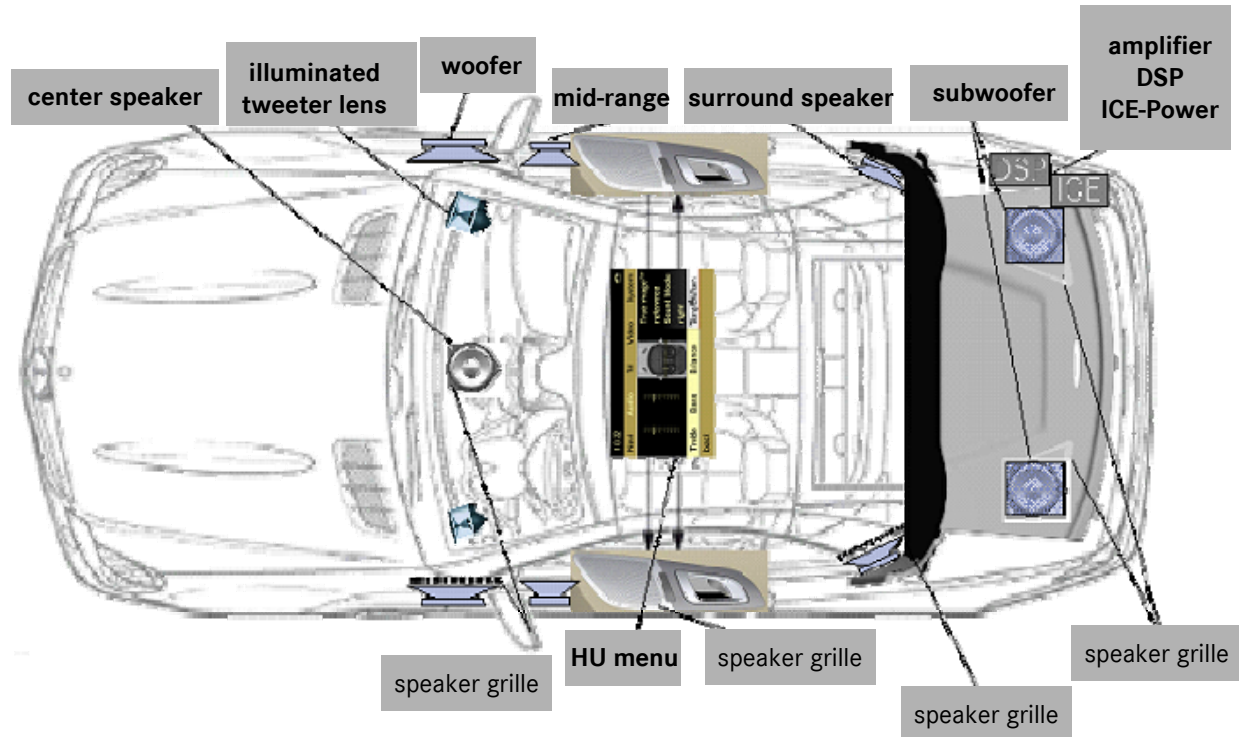
## Special Options

- 557 Classic Red/Black
- 555 Sand/Black
- 565 Porcelain/Black
- 204 Light Brown

# Code 811 - Bang & Olufsen Sound System

## OPTIONAL - \$6,400<sup>est</sup>

- 10 Speakers, 1,000 Watts
- Dual subwoofers
- Amplifier (Ice-Power and DSP) with a max output of 1,000 watts
- Speakers with Neodymium magnet to reduce weight without loss of sound quality
- All speaker grilles are made of high-quality 2mm aluminum
- Illuminated tweeter lenses
- Selectable sound modes



### Total Output 1000 Watts

<b>ICE power</b>		<b>DSP</b>	
subwoofer	1x250 Watt	center speaker	1x50 Watt
woofer	2x125 Watt	tweeter	2x50 Watt
mid-range	2x125 Watt	surround speaker	2x50 Watt
<b>total</b>	<b>750 Watt</b>	<b>total</b>	<b>250 Watt</b>

## Code 31P - Extended Interior Carbon Fiber Package

Expands upon the H73 Carbon Fiber trim option to cover more surfaces in carbon fiber



Extended Carbon Fiber Package Includes:

Carbon Fiber Interior Trim (Code H73)

+

- Sill Plates (2)
- Seat Frame Trim (2)

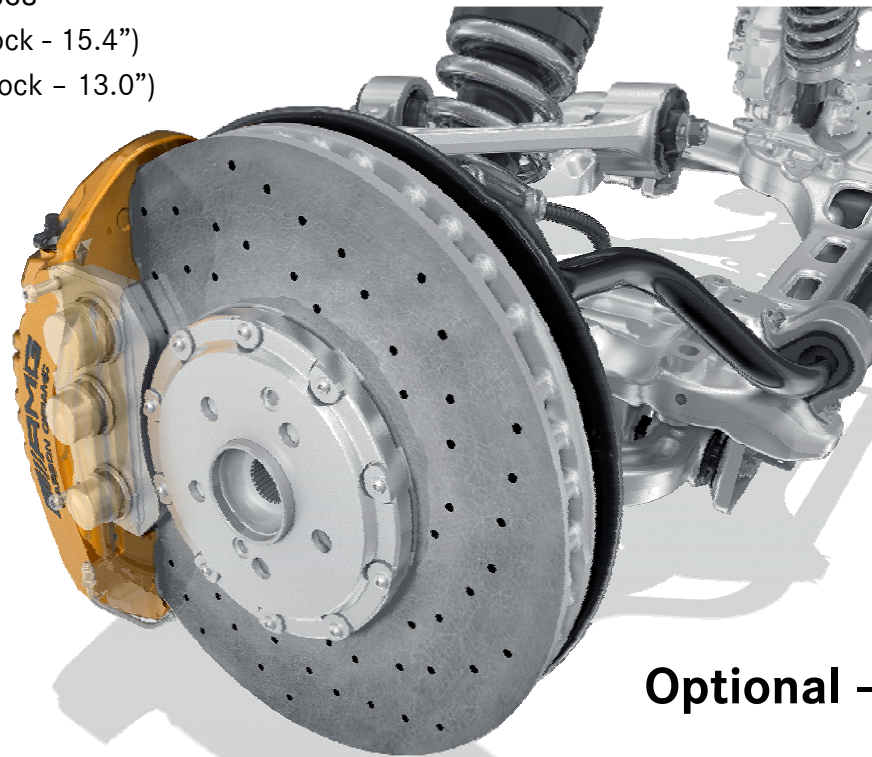
**OPTIONAL - \$9,000est.**

## Code B07 - AMG Carbon Ceramic Braking System

Specially-developed carbon ceramic rotors and brake calipers for reduced weight and excellent braking performance. Bronze painted brake calipers with “AMG Carbon Ceramic” Logo.

Larger carbon-ceramic compound brake discs

- Front: six piston caliper, 15.8” disc (Stock - 15.4”)
- Rear: four piston caliper, 14.2” disc (Stock - 13.0”)



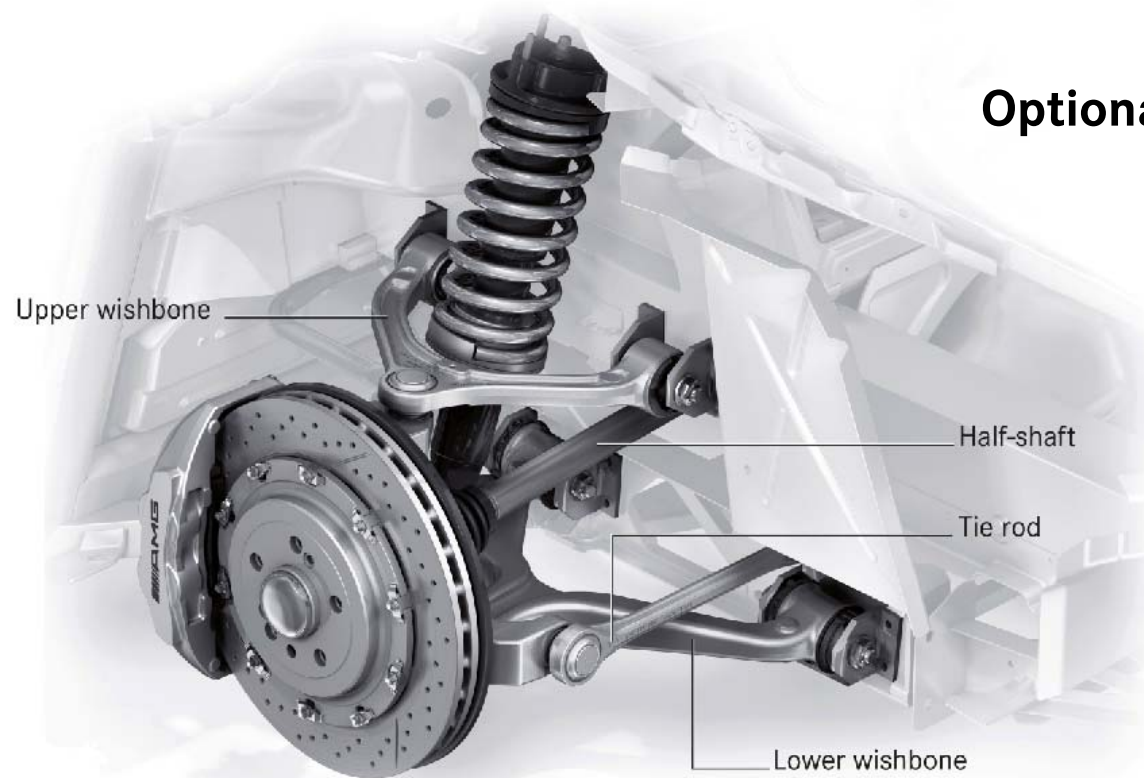
**Optional – \$12,000<sup>est</sup>**

**(Important Note:** This system is designed for the ultimate in high performance braking. The composition of the rotor/discs and pads are designed to deliver high performance braking in all ranges, however it must be noted that as a characteristic of these materials, some brake noise/squeal may result as well as a differing pedal/braking feel at lower brake temperatures vs. higher brake temperatures.)



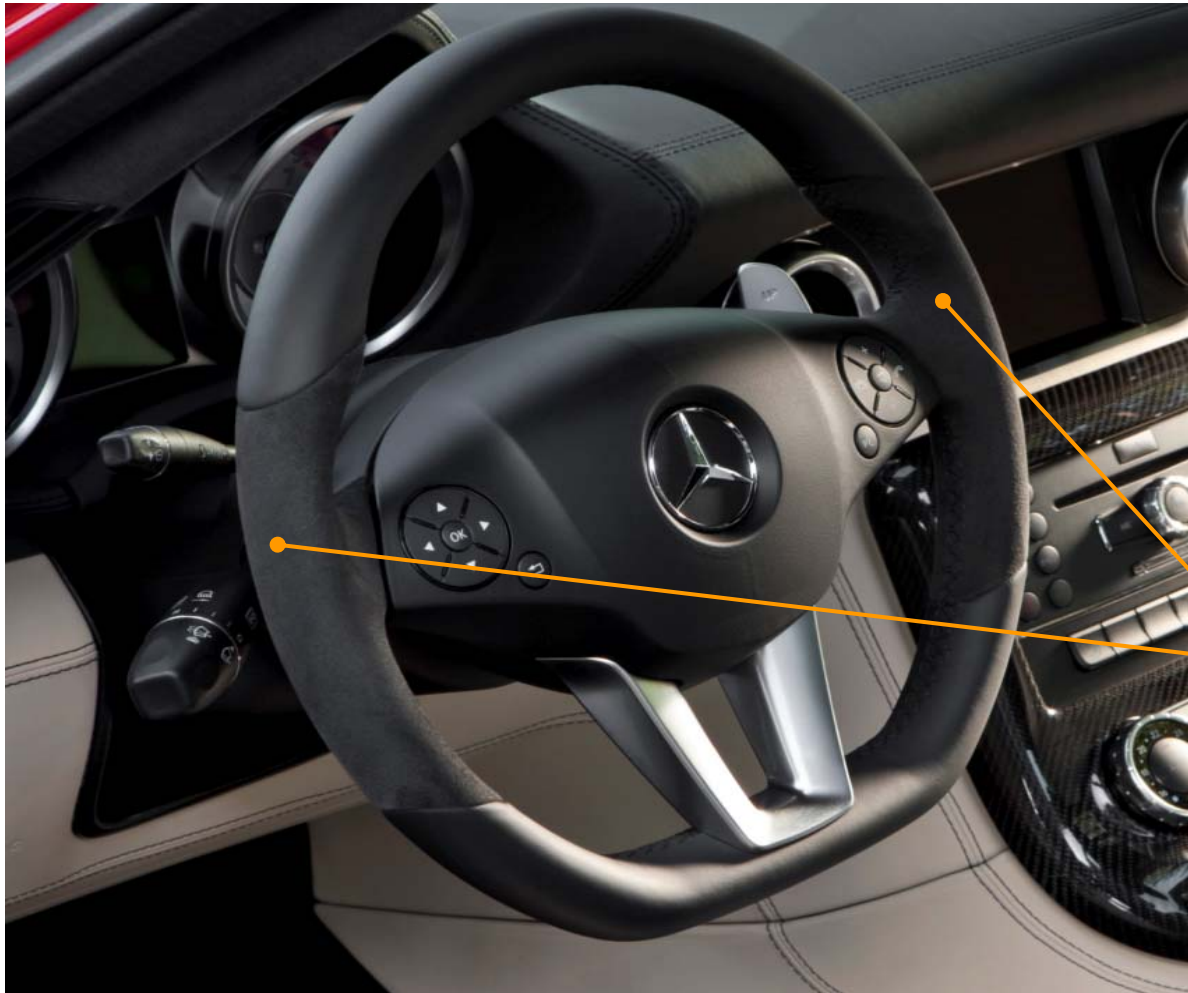
## Code 486 - AMG Performance Suspension

Stiffer steel springs and shock absorbers for enhanced dynamic capability in high-performance driving situations.



**(Important Note:** The AMG Performance Suspension features stiffer springs and shock absorbers which can have an impact on ride quality/compliance. This option is not recommended for customers who do not favor a very stiff ride with limited rebound and compression characteristics.

## Code 281 - AMG Leather/Alcantara Performance Steering Wheel



Alcantara Side Grips

**Optional - \$500<sup>est</sup>**

There are no other changes to the diameter or construction of the steering wheel.

## Code 773 - Carbon Fiber Side Mirror Covers

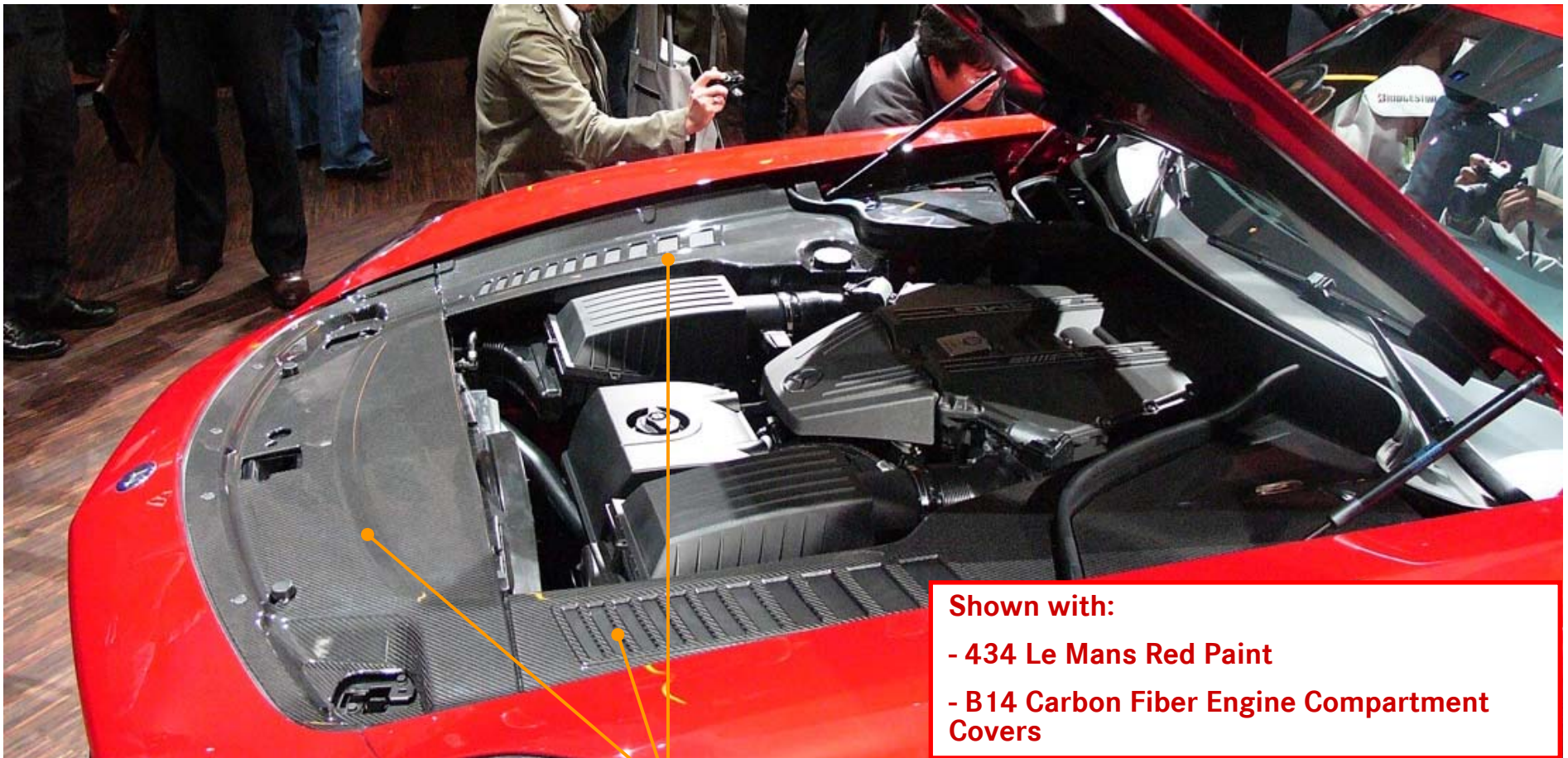


**Shown with:**

- 434 Le Mans Red Paint
- 773 Carbon Fiber Mirror Covers

**Optional – \$5,000est.**

## Code B14 - Carbon Fiber Engine Compartment Covers



**Shown with:**  
- 434 Le Mans Red Paint  
- B14 Carbon Fiber Engine Compartment Covers

**3 Piece Carbon Fiber Cover Set**

**Optional – \$5,400est.**

**Shown with:**

- 434 AMG Le Mans Red Paint
- 515 designo Porcelain Leather
- 766 AMG Forged 10-Spoke Wheels
- B07 Carbon Ceramic Braking System





**Shown with:**

- 434 AMG Le Mans Red Paint
- 515 designo Porcelain Leather
- 766 AMG Forged 10-Spoke Wheels
- B07 Carbon Ceramic Braking System









## SLS AMG ORDERING SUMMARY

### STANDARD OPTIONS

PAINT		Estimate	
Metallic	197	Obsidian Black	N/C
	434	AMG Le Mans Red	N/C
	775	Iridium Silver	N/C
	950	AMG Daytona Blue	N/C
Special	756	AMG Imola Grey	\$1,500
	799	<i>designo</i> Diamond White	\$1,500
Matte Finish	044	<i>designo</i> Magno Alanite Grey	\$3,000
	054	<i>designo</i> Magno Monza Grey	\$3,000
ALU-BEAM	047	<i>designo</i> ALU-BEAM Silver	\$10,000
UPHOLSTERY		Estimate	
Standard Choices	501	<i>designo</i> Black Single-Tone	N/C
	505	<i>designo</i> Sand Single-Tone	N/C
	507	<i>designo</i> Classic Red Single-Tone	N/C
	515	<i>designo</i> Porcelain Single-Tone	N/C
TRIM		Estimate	
Standard	H70	Aluminum	STD
Optional	H73	Carbon Fiber	\$4,500
WHEELS		Estimate	
Standard	764	AMG Twin 5-Spoke	STD
Optional	765	AMG 7-Spoke	N/C
Optional	766	AMG 10-Spoke Forged	\$2,400

### SPECIAL OPTIONS

UPHOLSTERY (SEATS)		Estimate
555	<i>designo</i> Sand/Black Two-Tone	N/C
557	<i>designo</i> Classic Red/Black Two-Tone	N/C
565	<i>designo</i> Porcelain/Black Two-Tone	N/C
204	<i>designo</i> Light Brown Natural Leather	\$1,000
PERFORMANCE		Estimate
486	AMG Performance Suspension	\$1,500
B07	AMG Carbon Ceramic Braking System	\$12,000
ENTERTAINMENT		Estimate
811	Bang & Olufsen 1,000 Watt Sound System	\$6,400
APPEARANCE		Estimate
31P	Extended Interior Carbon Fiber Package	\$9,000
B14	Carbon Fiber Engine Compartment Covers	\$5,400
773	Carbon Fiber Side Mirror Caps	\$5,000
281	Leather/Alcantara Steering Wheel	\$500
C52	Indoor Car Cover	\$370
B11	Luggage Set	TBD